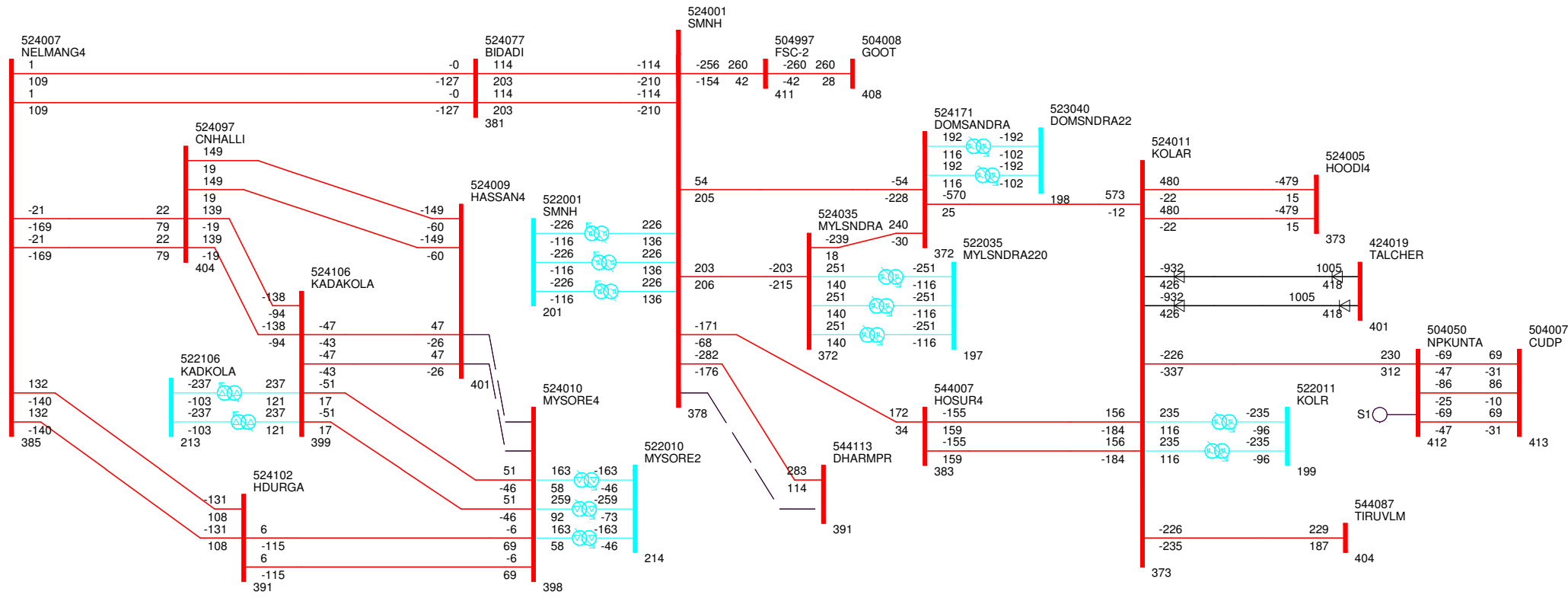
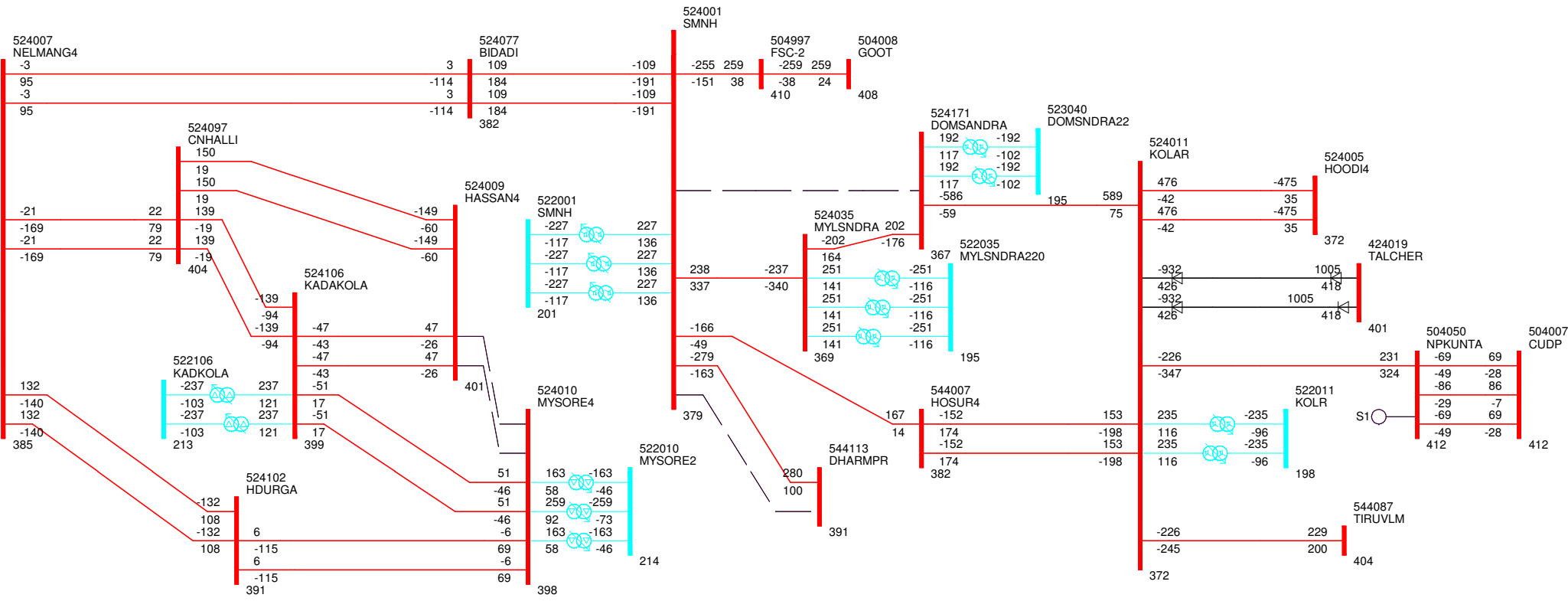


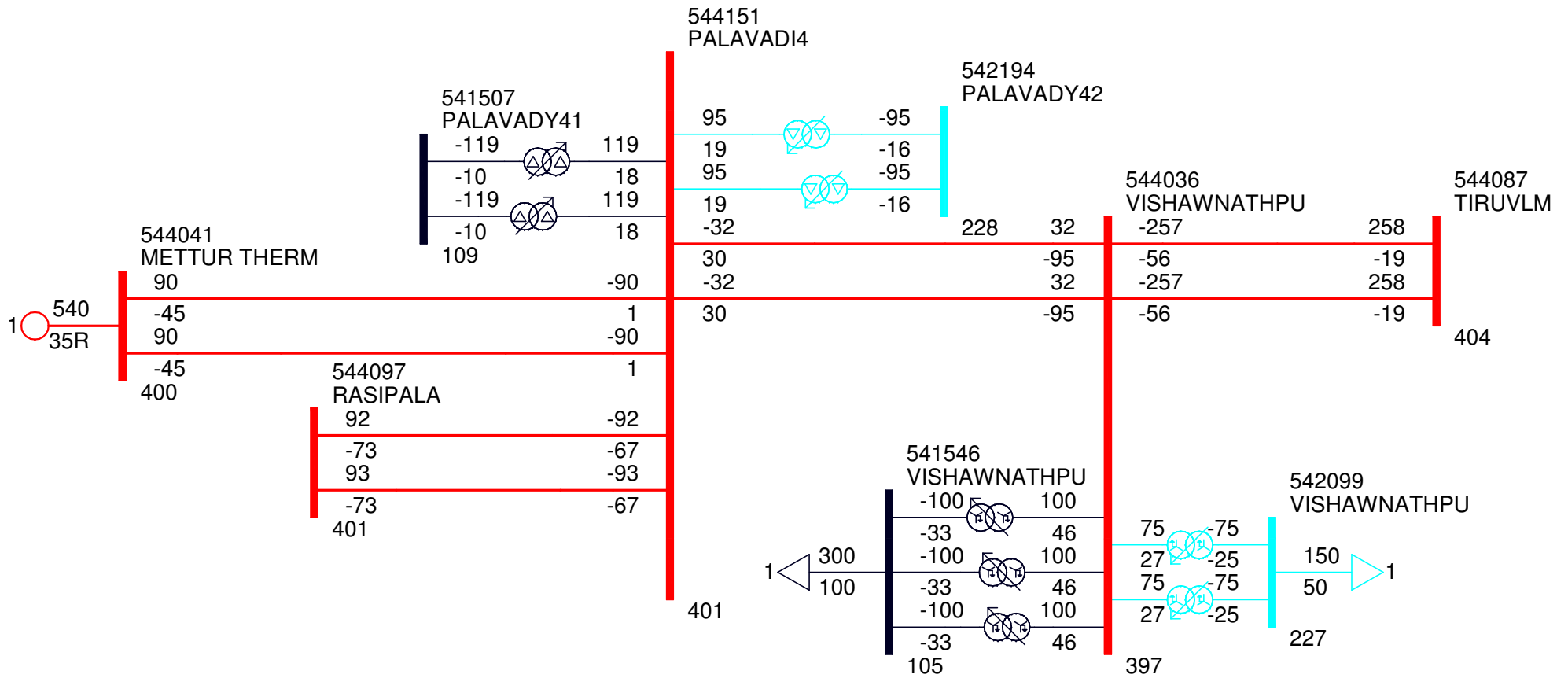
### Load flow studies for proposed Dommasandra & Mylasandra



### Load flow studies for proposed Dommasandra & Mylasandra

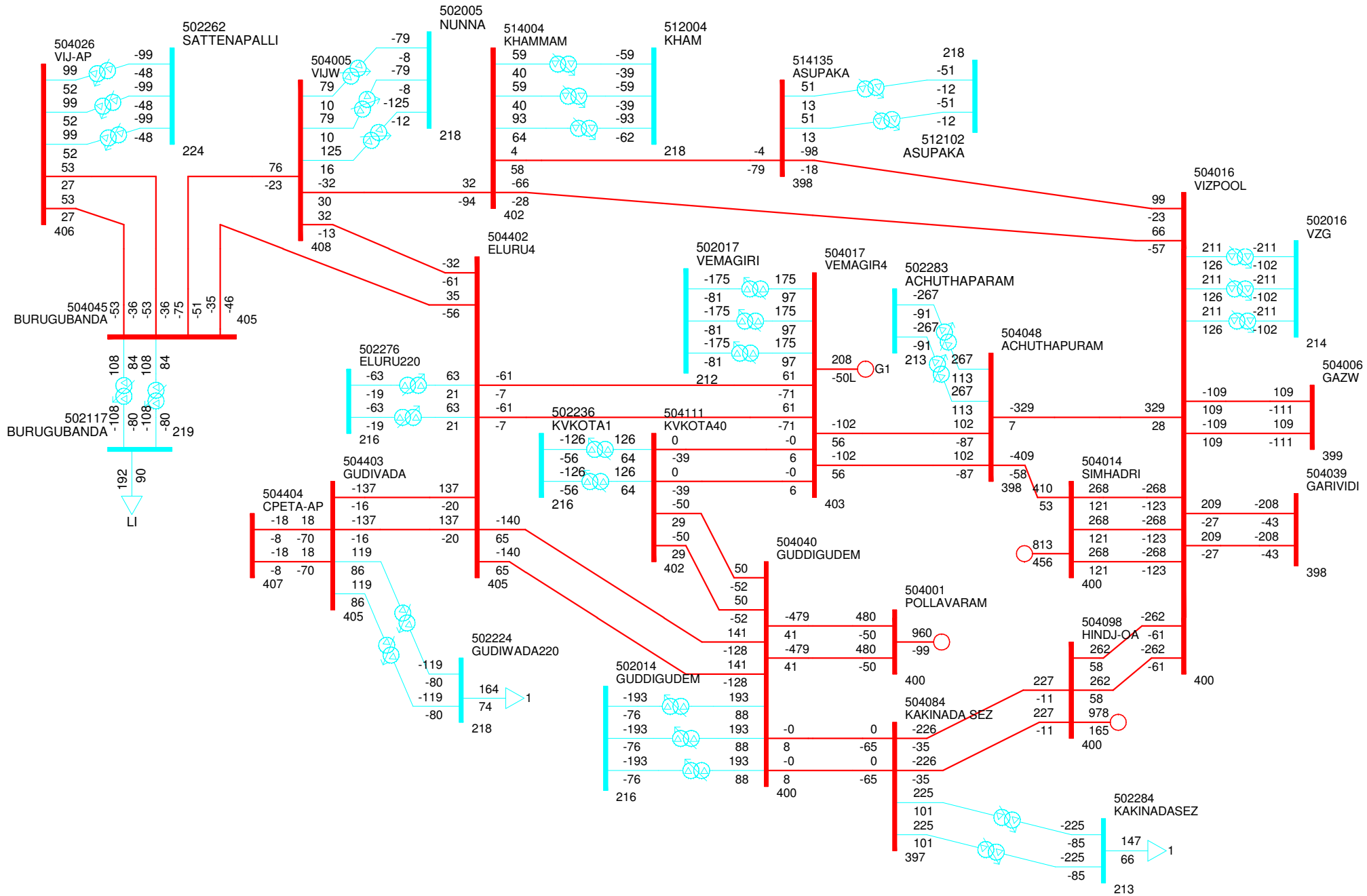


# Load flow study for Vishwanathapuram

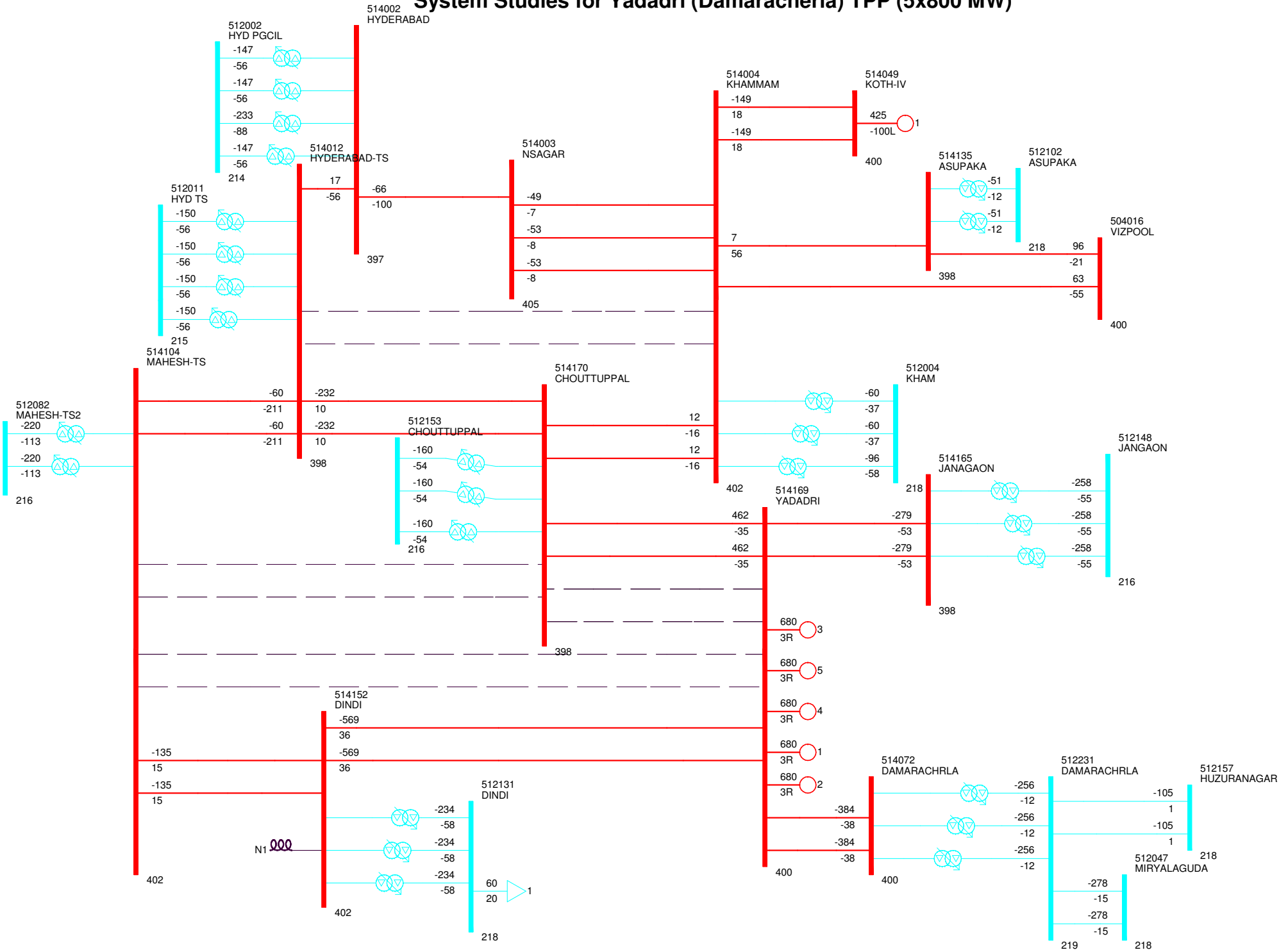


Power flow plot for proposed Polavaram HEP, Kakinada SEZ, Acthuthapuram, Bhurghabunda schemes in AP

Exhibit 1C,1D,1E & 1F



### System Studies for Yadadri (Damaracherla) TPP (5x800 MW)



### System Studies for Yadadri (Damaracherla) TPP (5x800 MW)

