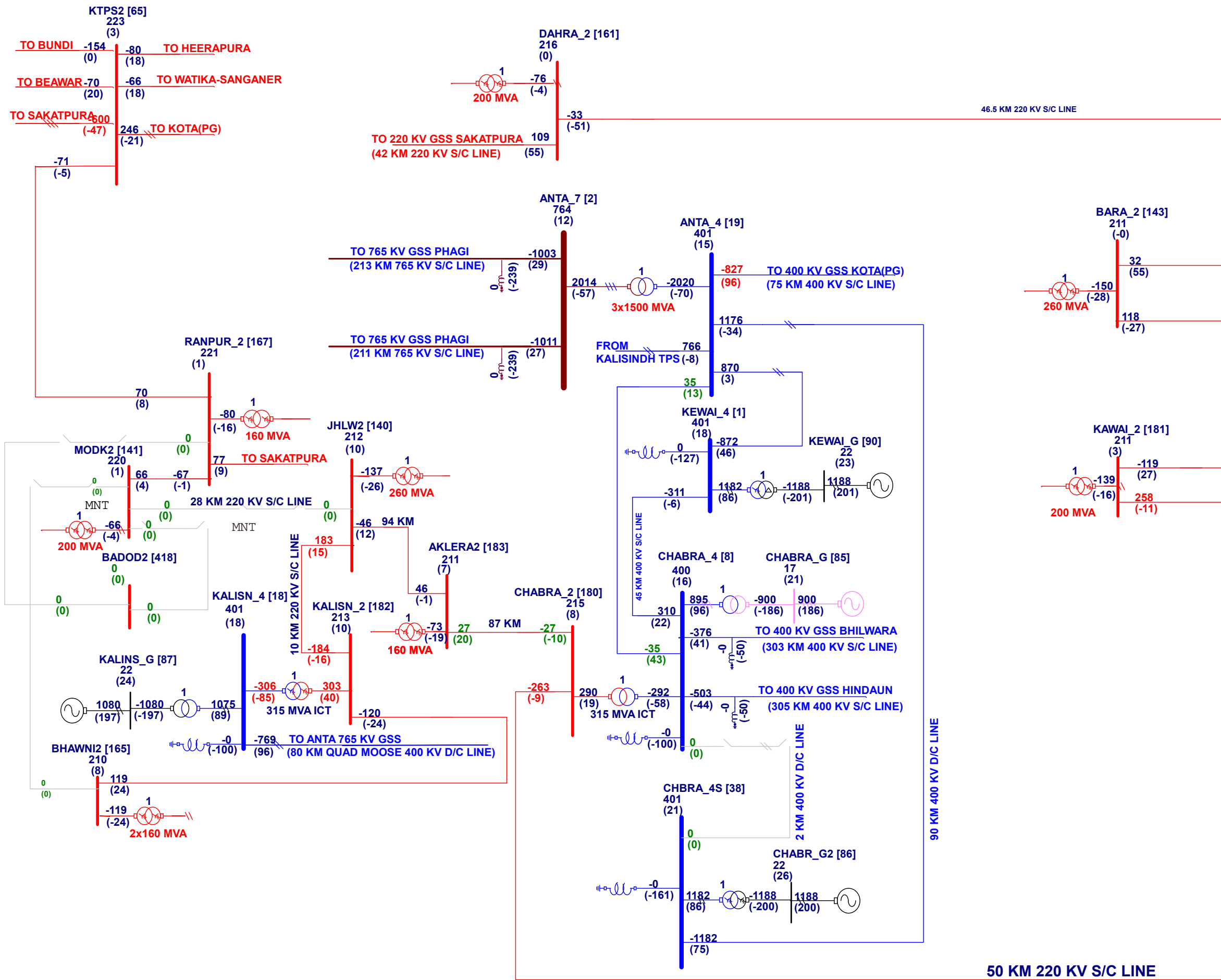


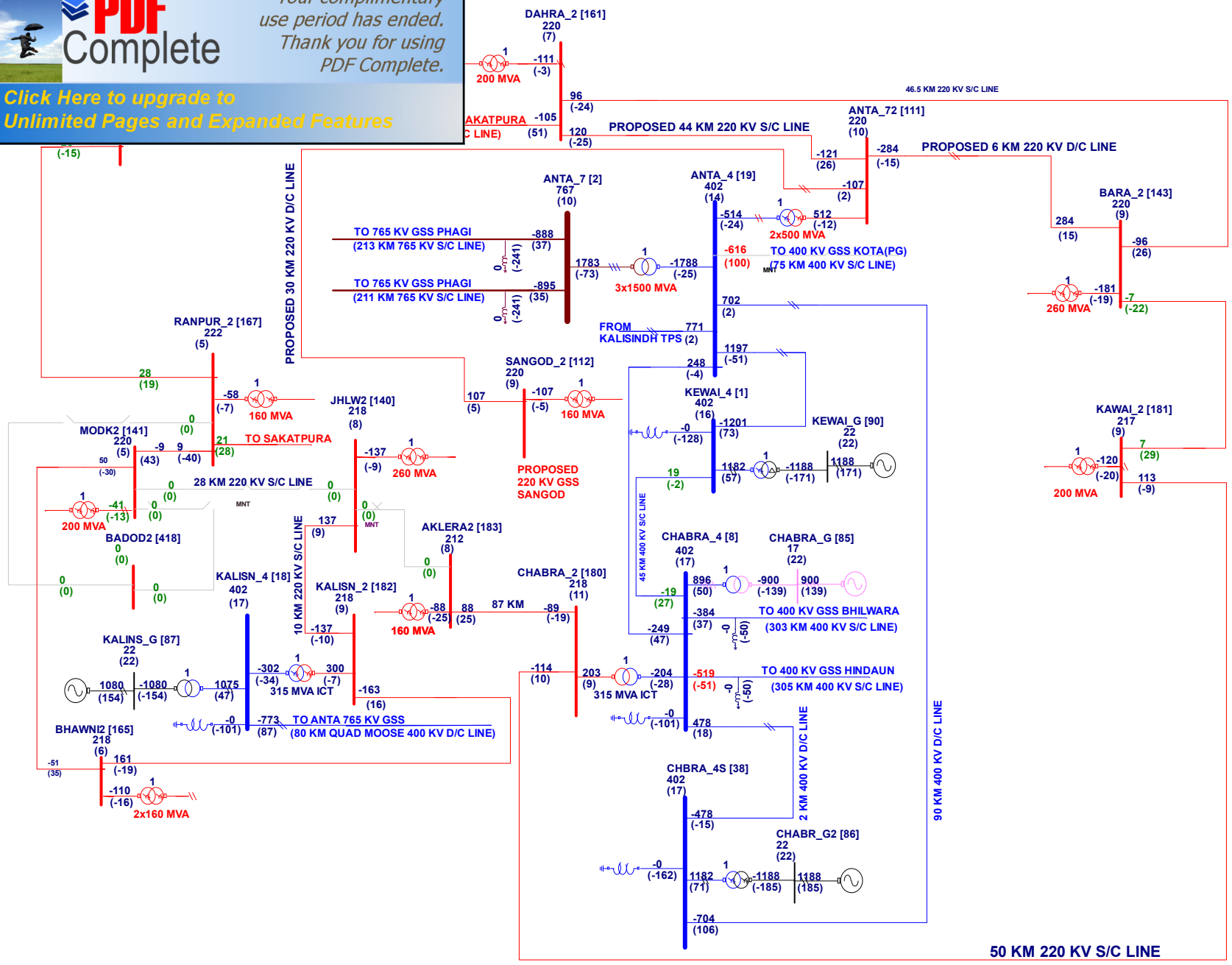
Annexure-A1



50 KM 220 KV S/C LINE



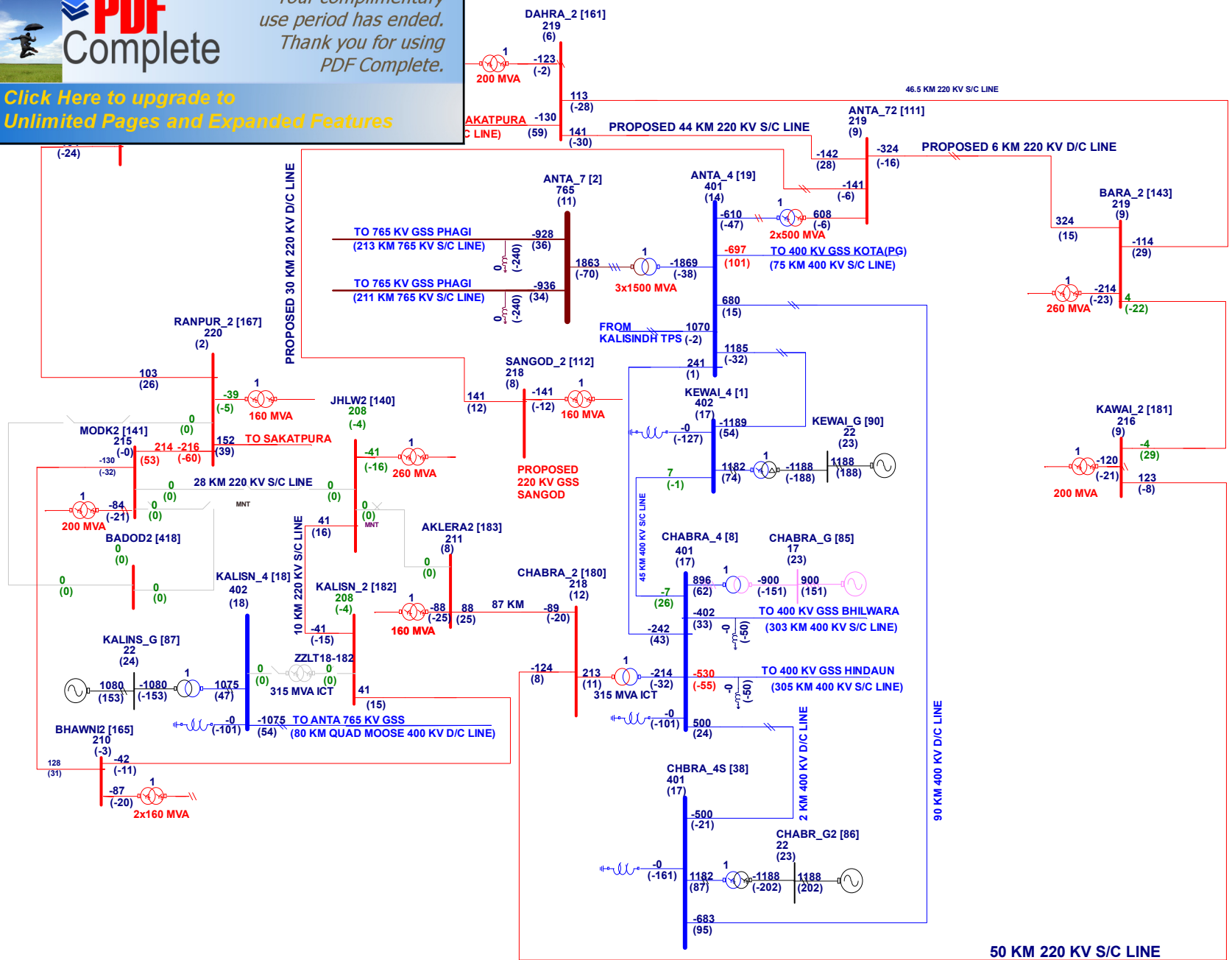
PDF Complete
 Your complimentary use period has ended.
 Thank you for using PDF Complete.
 Click Here to upgrade to Unlimited Pages and Expanded Features



Total Gen. : 14902.582 (429.854)
 Total Load : 14408.908 (5988.092)
 Total Loss : 493.818907 (-13732.014164)
 Display Notation
 Injection into the bus : +ve
 Drawl away from the bus : -ve
 Voltage Mag/(Ang) in kV/degree
 Flows in MW and (Mvar)



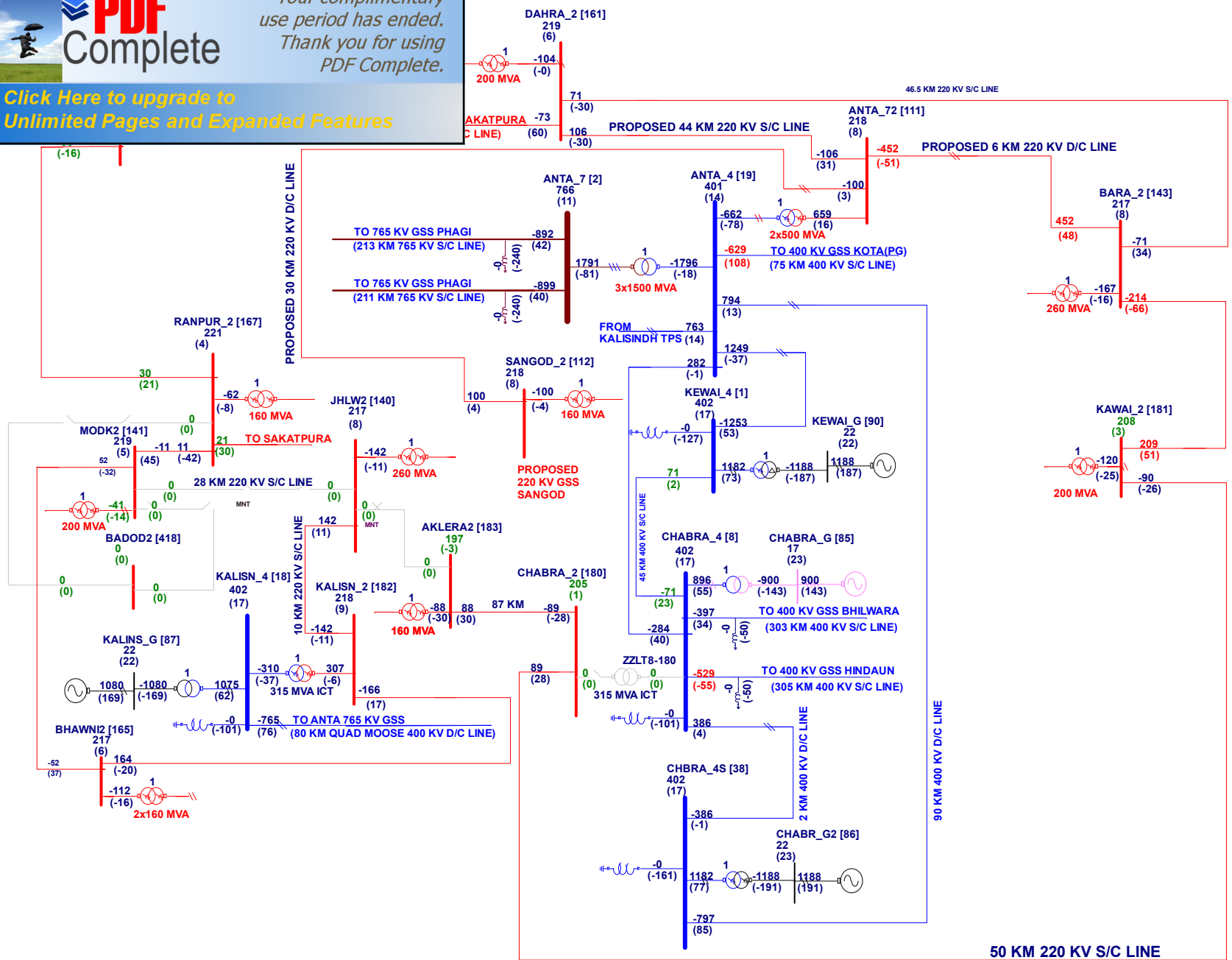
PDF Complete
 Your complimentary use period has ended.
 Thank you for using PDF Complete.
 Click Here to upgrade to Unlimited Pages and Expanded Features



Total Gen. : 14914.790 (602.074)
 Total Load : 14408.908 (5988.092)
 Total Loss : 506.023271 (-13548.673003)
 Display Notation
 Injection into the bus : +ve
 Drawl away from the bus : -ve
 Voltage Mag/(Ang) in kV/degree
 Flows in MW and (Mvar)



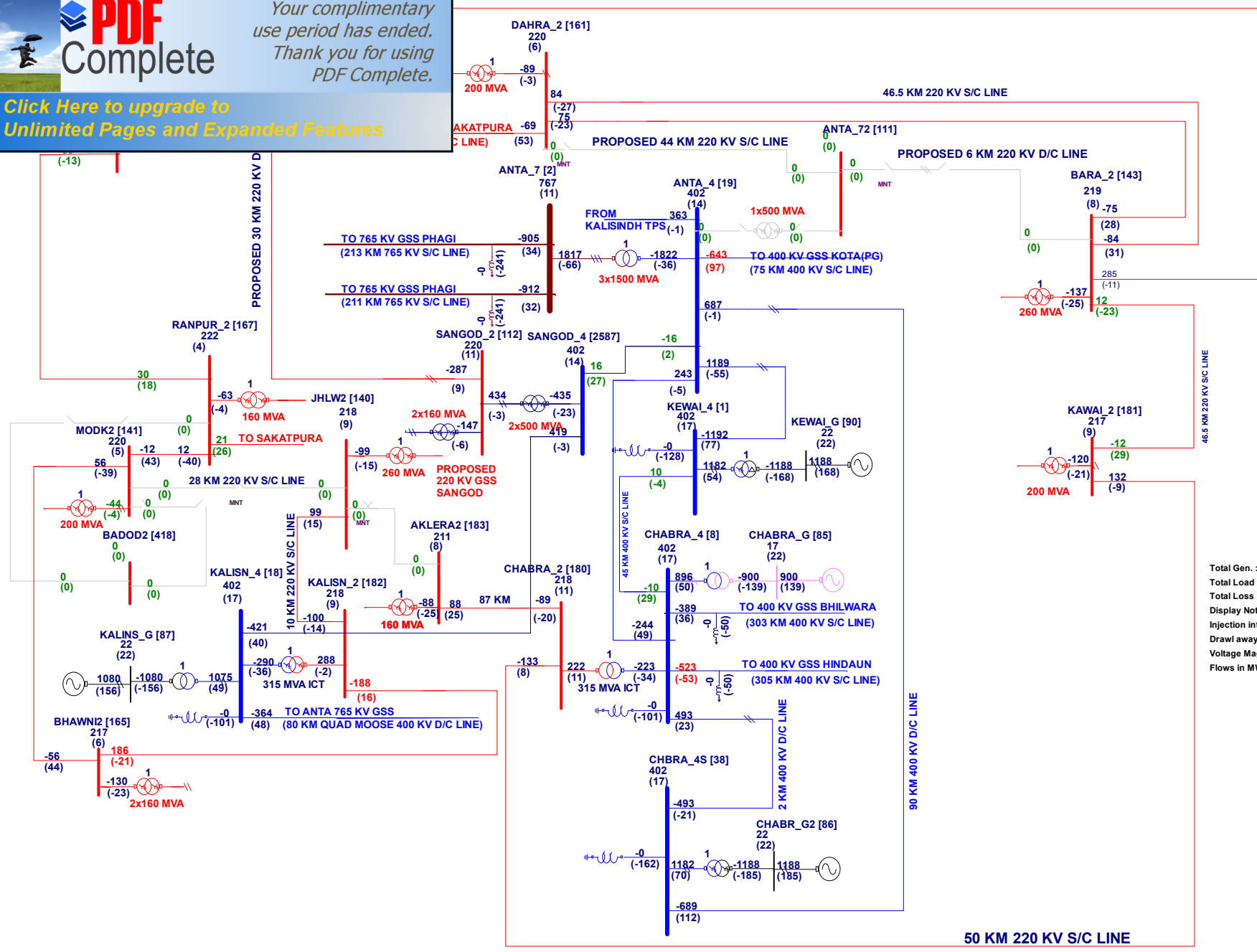
PDF Complete
 Your complimentary use period has ended.
 Thank you for using PDF Complete.
 Click Here to upgrade to Unlimited Pages and Expanded Features



Total Gen. : 14909.009 (531.938)
 Total Load : 14408.908 (5988.092)
 Total Loss : 500.240861 (-13627.586571)
 Display Notation
 Injection into the bus : +ve
 Drawl away from the bus : -ve
 Voltage Mag/(Ang) in kV/degree
 Flows in MW and (Mvar)



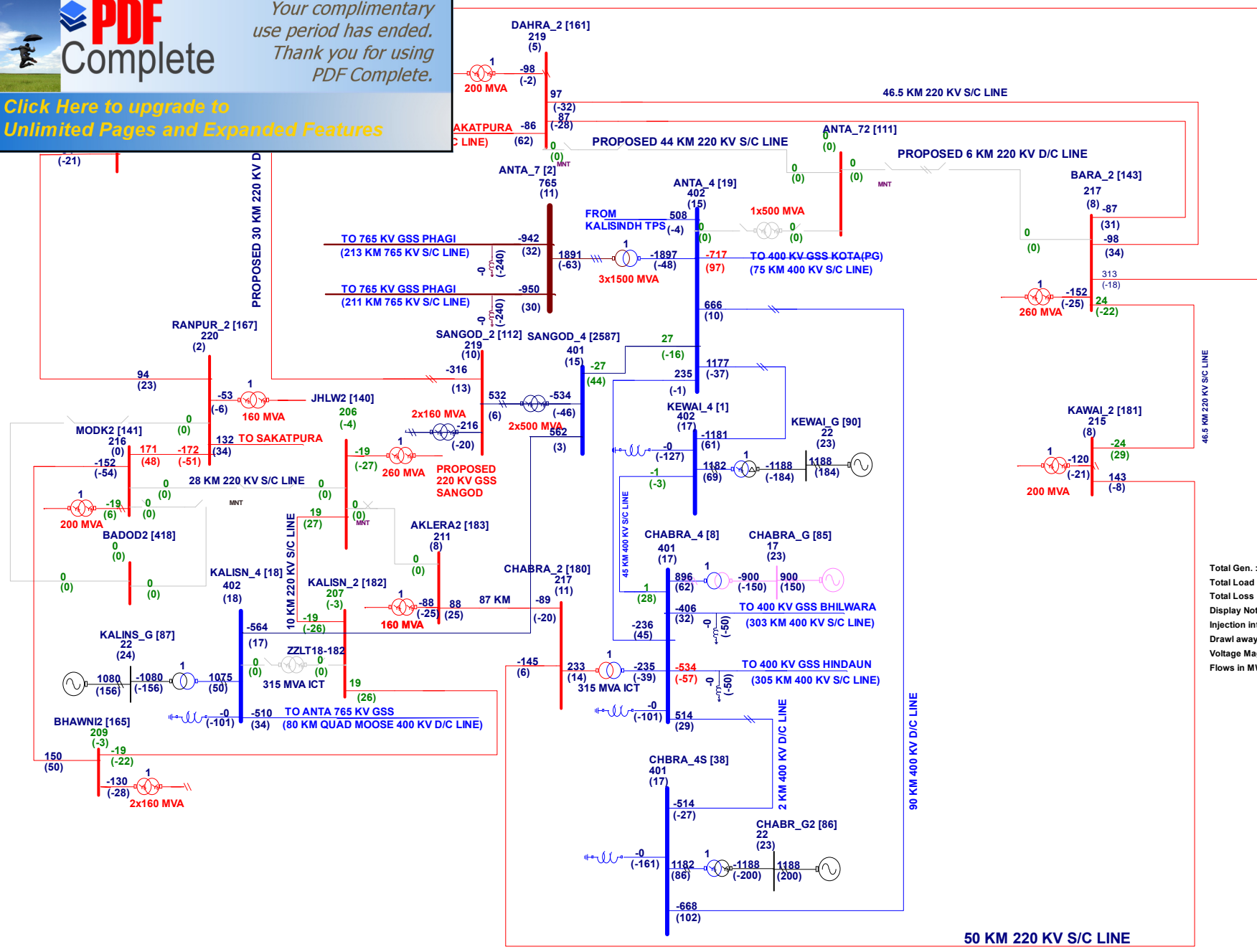
PDF Complete
Your complimentary use period has ended.
Thank you for using PDF Complete.
Click Here to upgrade to Unlimited Pages and Expanded Features



Total Gen. : 14875.338 (434.700)
 Total Load : 14379.327 (5979.321)
 Total Loss : 496.154925 (-13728.914901)
 Display Notation
 Injection into the bus : +ve
 Drawl away from the bus : -ve
 Voltage Mag/(Ang) in kV/degree
 Flows in MW and (Mvar)

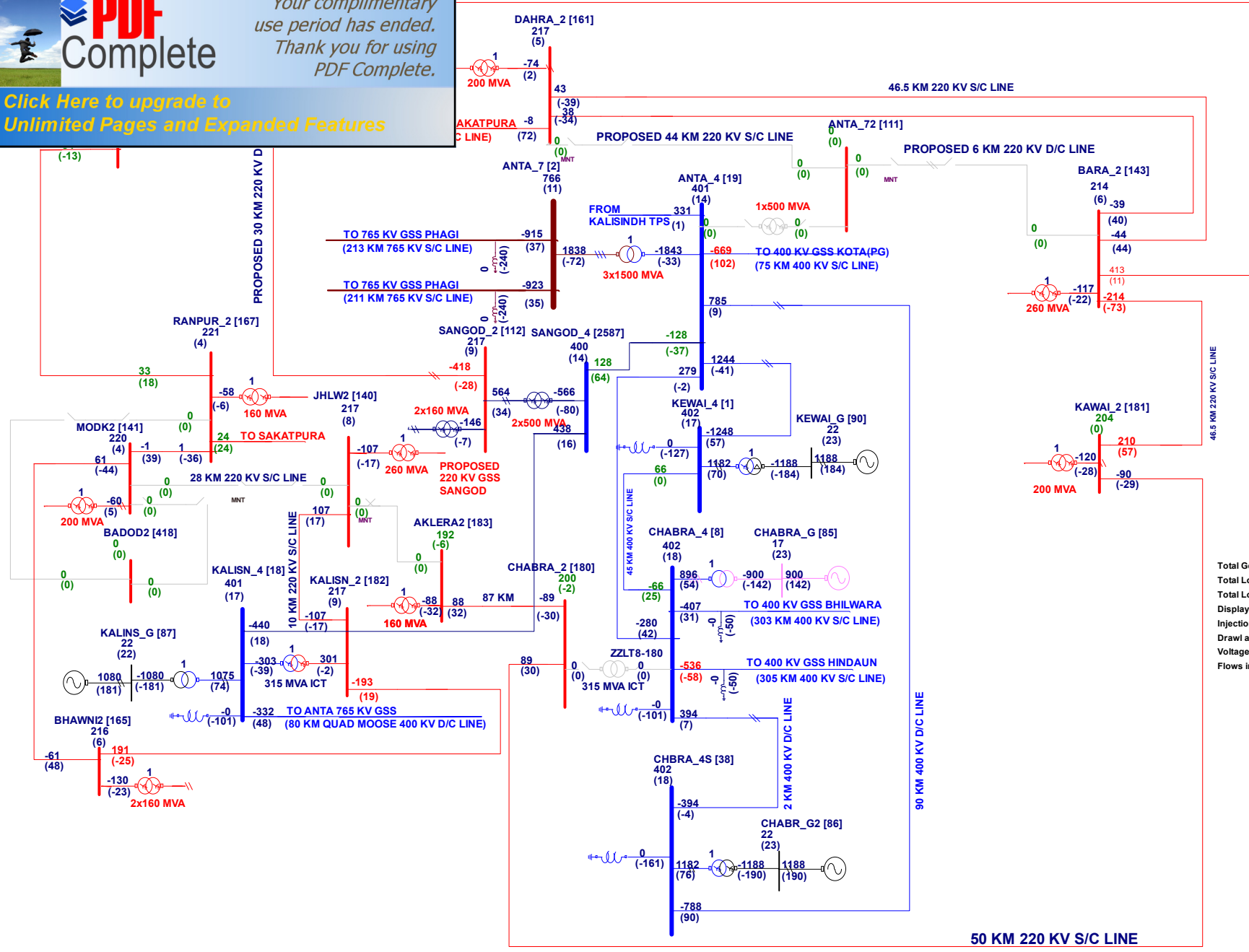


PDF Complete
 Your complimentary use period has ended.
 Thank you for using PDF Complete.
 Click Here to upgrade to Unlimited Pages and Expanded Features



Total Gen.: 14888.212 (597.696)
 Total Load : 14379.327 (5979.321)
 Total Loss : 509.025764 (-13556.125808)
 Display Notation
 Injection into the bus : +ve
 Drawl away from the bus : -ve
 Voltage Mag/(Ang) in kV/degree
 Flows in MW and (Mvar)

PDF Complete
 Your complimentary use period has ended.
 Thank you for using PDF Complete.
 Click Here to upgrade to Unlimited Pages and Expanded Features



Total Gen. : 14884.735 (567.041)
 Total Load : 14379.327 (5979.321)
 Total Loss : 505.543742 (-13595.204233)
 Display Notation
 Injection into the bus : +ve
 Drawl away from the bus : -ve
 Voltage Mag/(Ang) in kV/degree
 Flows in MW and (Mvar)