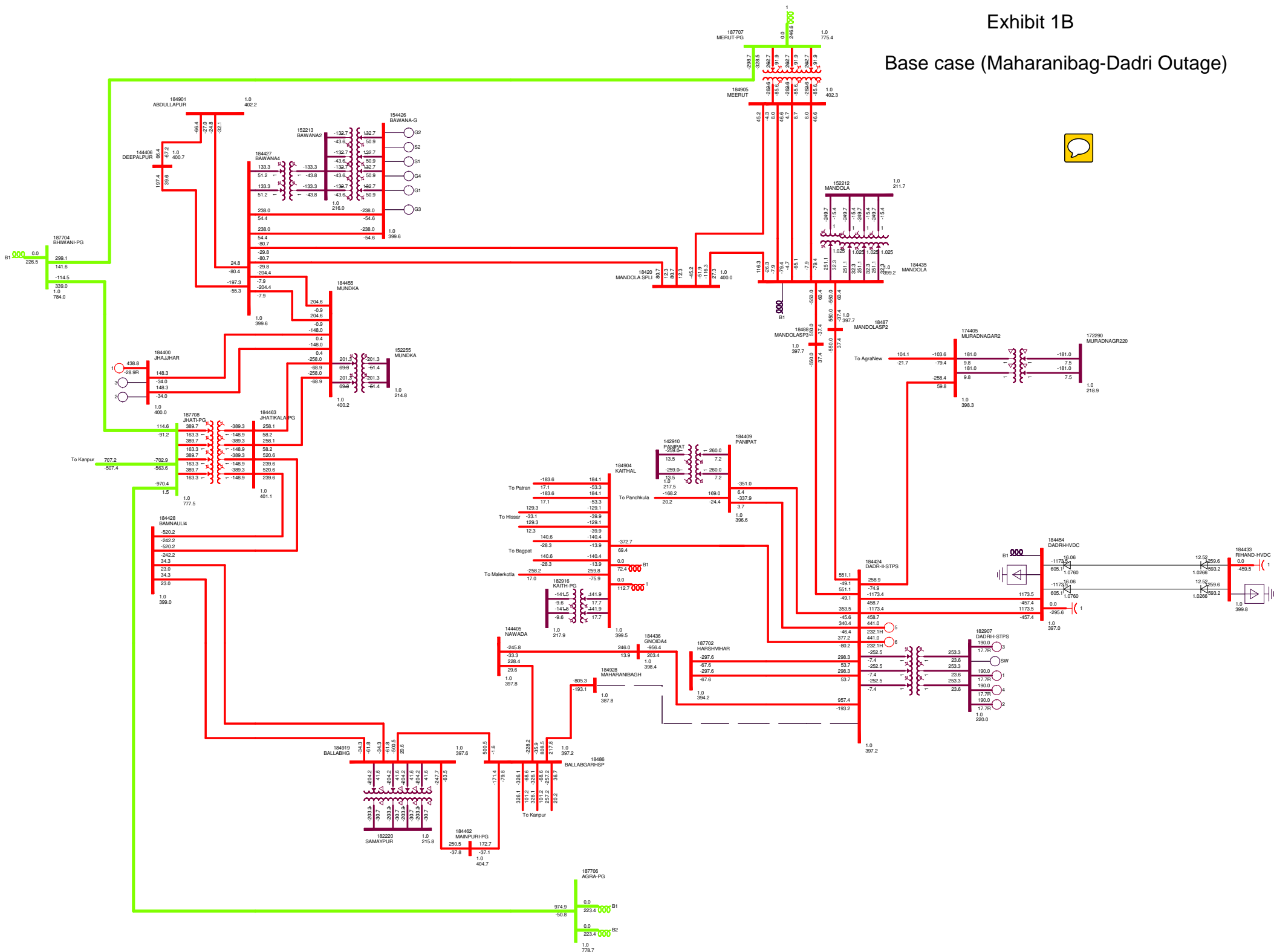
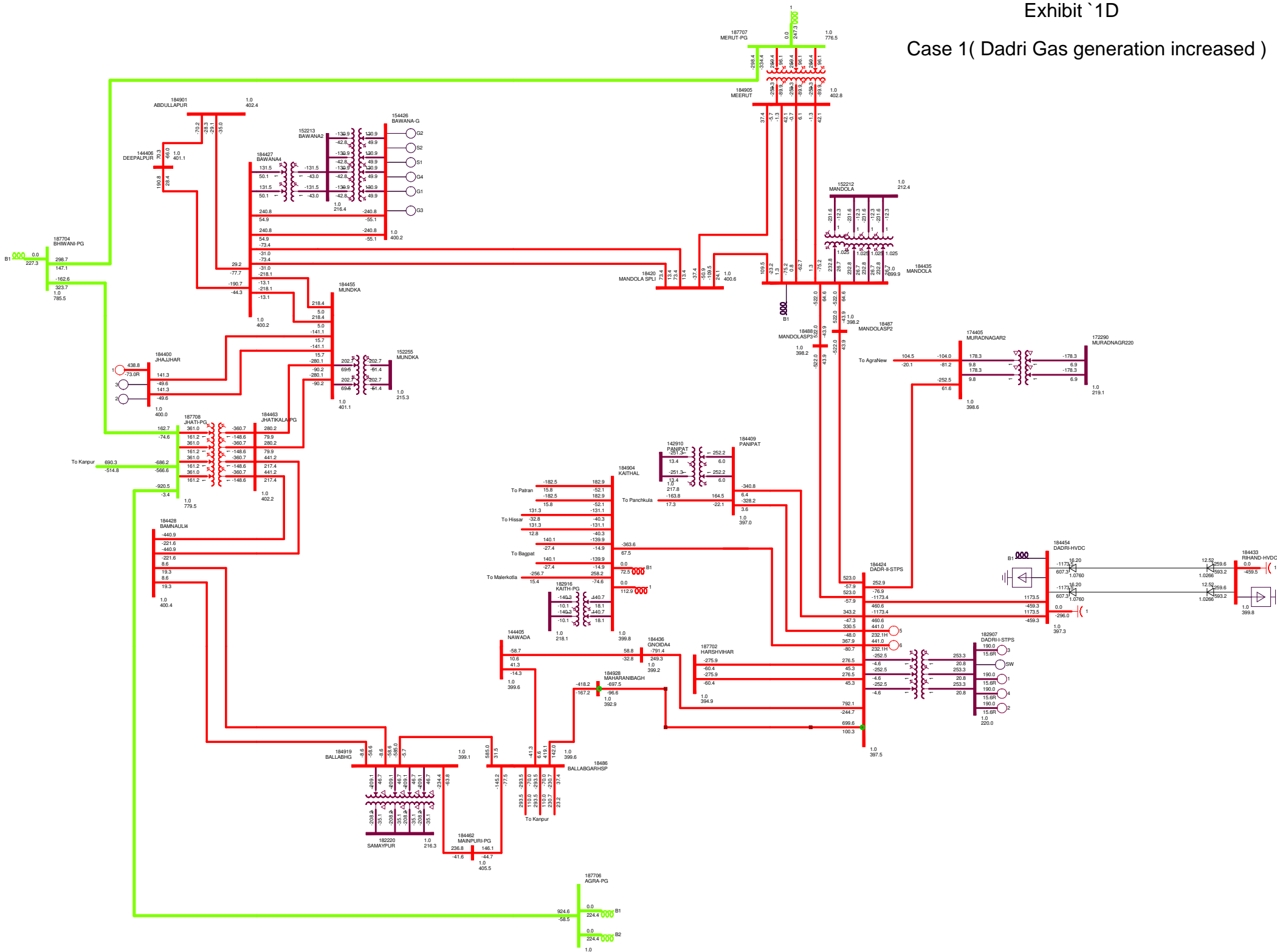


Base case (Maharanibag-Dadri Outage)



Case 1(Dadri Gas generation increased)



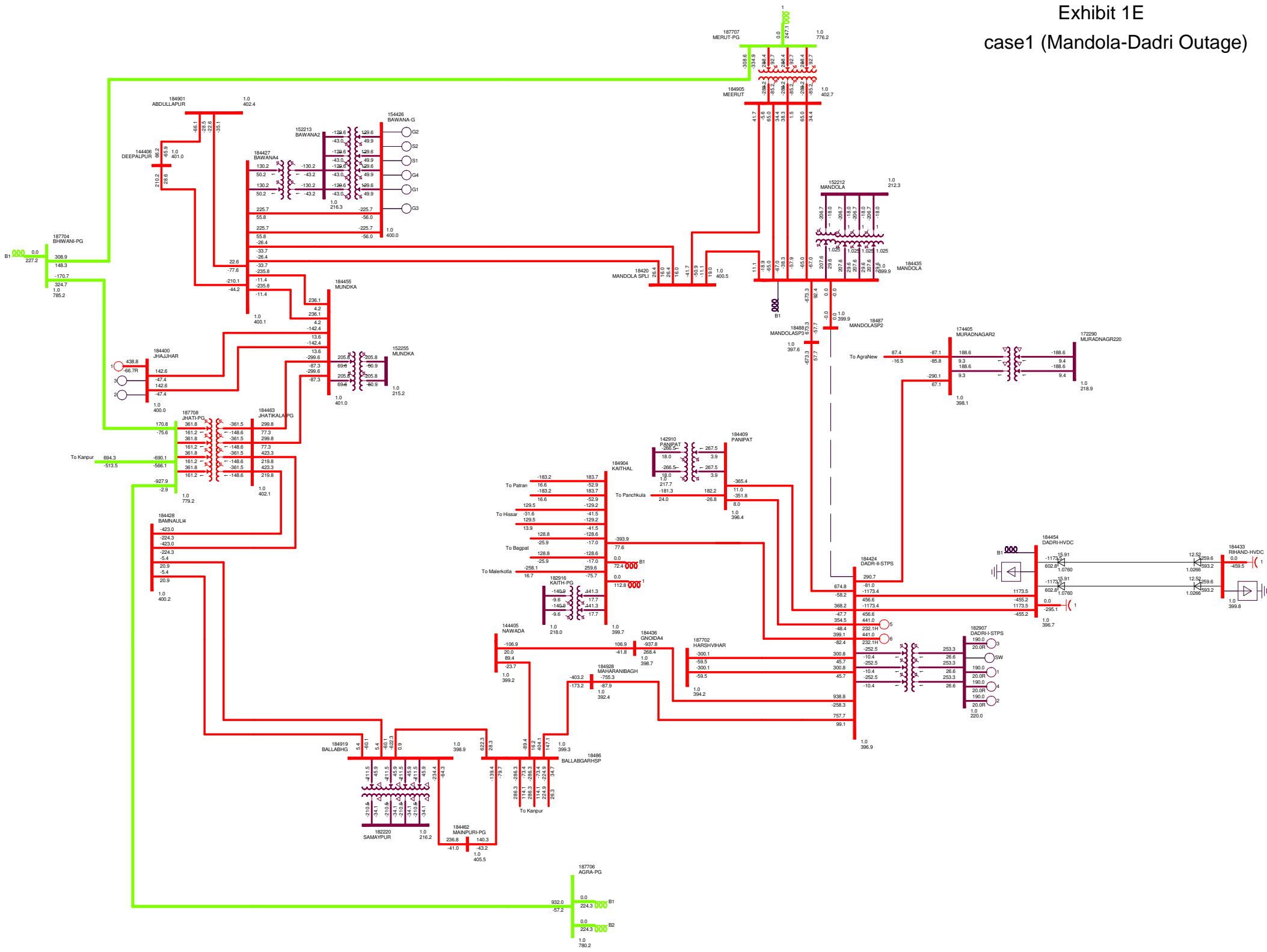
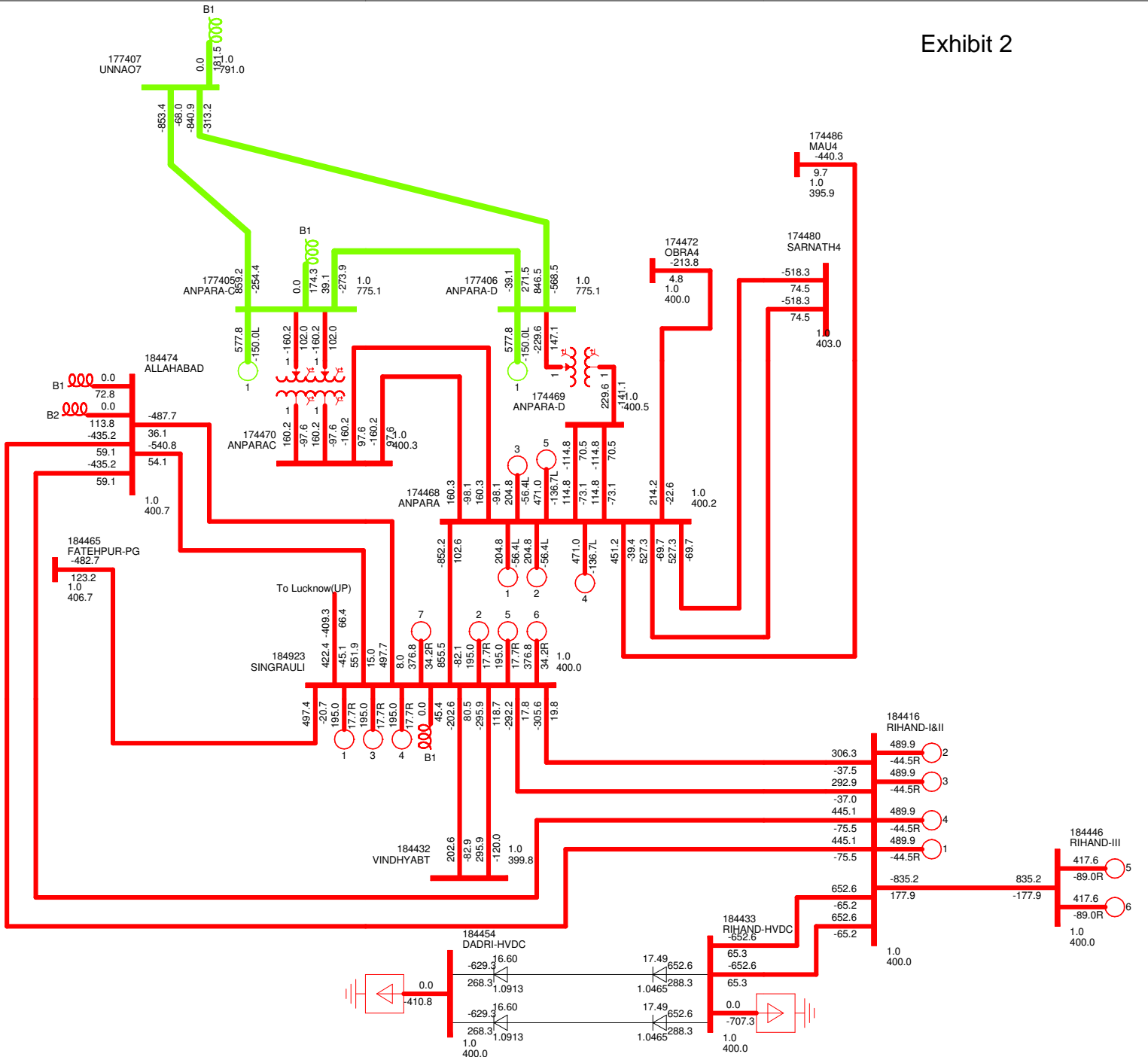
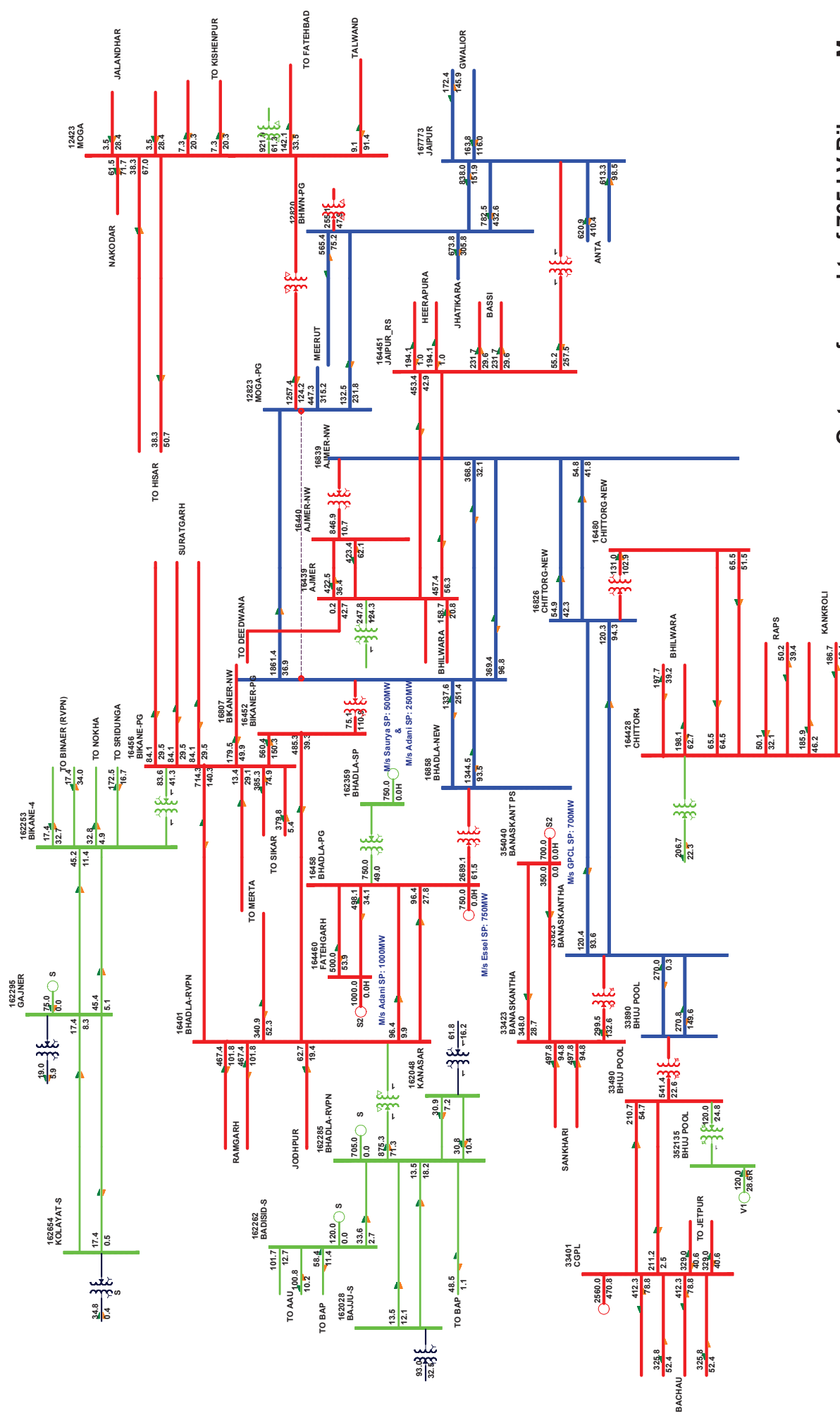


Exhibit 2



STUDY FOR ULTRA MEGA SOLAR POWER PARKS IN BHADLA & JAISALMER IN RAJASTHAN



Outage of one ckt of 765 kV Bikaner- Moga