



भारत सरकार / Government of India  
विद्युत मंत्रालय / Ministry of Power  
केन्द्रीय विद्युत प्राधिकरण / Central Electricity Authority  
विद्युत प्रणाली योजना एवं परियोजना मूल्यांकन-I प्रभाग  
Power System Planning & Project Appraisal-I Division  
सेवा भवन आर के पुरम नई दिल्ली-110066  
Sewa Bhawan, R. K. Puram, New Delhi-110066  
वेबसाइट / Website: www.cea.nic.in



No. 26/3/PSP&PA – I/2016/ 258-260  
258-260.

Date: 21.06.2016

सेवा में / To

Chairman & Managing Director,  
POWERGRID Corporation of India Ltd.,  
Plot No.2, Sector-29, Near IFFCO Chowk,  
Gurgaon – 122001.

**विषय / Subject:** Prior approval of the Government under section 68 (1) of the Electricity Act, 2003 to M/s POWERGRID Corporation of India Ltd. (PGCIL) for the scheme “Western Region System Strengthening Scheme - XVIII” – Reg.

**संदर्भ / Reference:** 1) PGCIL’s letter no. C/CP/WRSS-XVIII dated 19.04.2016  
2) PGCIL’s letter no. C/CP/WRSS-XVIII dated 01.06.2016


**महोदय / महोदया / Sir / Madam,**

Reference is invited to PGCIL’s letters dated 19.04.2016 and 01.06.2016, seeking prior approval of CEA, MoP, Government of India under Section 68 (1) of Electricity Act, 2003, hereinafter “the Act”, in favor of M/s PGCIL for implementation of the scheme – “Western Region System Strengthening Scheme - XVIII”, with following scope of work:

- (i) Splitting Arrangement of following substations along with necessary switching arrangement
  - a) Dharamjaygarh Pool 765 kV BUS as per Fig. 1 of Annexure-I.
  - b) Raigarh Pool (Kotra) 400 kV BUS & 765 kV BUS as per Fig. 2 of Annexure-I.
  - c) Champa Pool 400 kV BUS & 765 kV BUS as per Fig. 3 of Annexure-I.
- (ii) Installations of Reactors:
  - a) 1 X 125 MVAR BUS Reactor at 400 kV BUS of Dharamjaygarh Pool.
  - b) 1 X 125 MVAR BUS Reactor at 400 kV BUS Section A of Raigarh Pool (Kotra).
  - c) 1 X 240 MVAR BUS Reactor at 765 kV BUS Section A of Raigarh Pool (Kotra).

- d) 1 X 240 MVAR BUS Reactor at 765 kV BUS Section A of Champa Pool.  
e) 1 X 330 MVAR BUS Reactor at 765 kV BUS Section B of Dharamjaygarh Pool.
2. The scope of work mentioned at above, has been agreed in 39<sup>th</sup> Standing Committee Meeting (SCM) on Power System Planning of Western Region held on 30.11.2015 at NRPC, New Delhi.
3. CEA conveys the prior approval of Government of India under Section 68 (1) of Electricity Act, 2003 to M/s PGCIL for implementation of the scheme 'Western Region System Strengthening Scheme – XVIII' with above scope of work.
4. This approval is subject to compliance of  
a) The relevant provisions of the Act, as amended from time to time and the rules and regulations made there under, and  
b) CEA (Measures relating to Safety and Electrical Supply) Regulations, 2010 and any subsequent amendments made thereto.
5. The approval is also subject to the following conditions:  
(i) The implementing agency will commence construction of the project within three years of grant of approval, unless this term is extended by the Central Electricity Authority.  
(ii) Central Electricity Authority may withdraw the approval before the expiry of the period of three years after giving a one-month notice.  
(iii) The implementing agencies shall abide by the provisions of Works of Licensee Rules, 2006 notified by the Govt. of India, Ministry of Power in the Gazette of India, extra-ordinary Part-II, Section 3(i) dated 18-04-2006 (vide GSR 217 (E) dated 18-04-2006).  
Provided that "nothing contained in this rule shall effect the powers conferred upon any licensee under section 164 of the Act".

भवदीय / Yours' faithfully,

  
21/6/16

(पी डी सिवाल / P.D Siwal)  
सचिव / Secretary, के वि प्रा / CEA

प्रति लिपि / Copy to: -

- (i) Joint Secretary (Trans), Ministry of Power, Shram Shakti Bhawan, New Delhi.  
(ii) PPS of Secretary, CEA

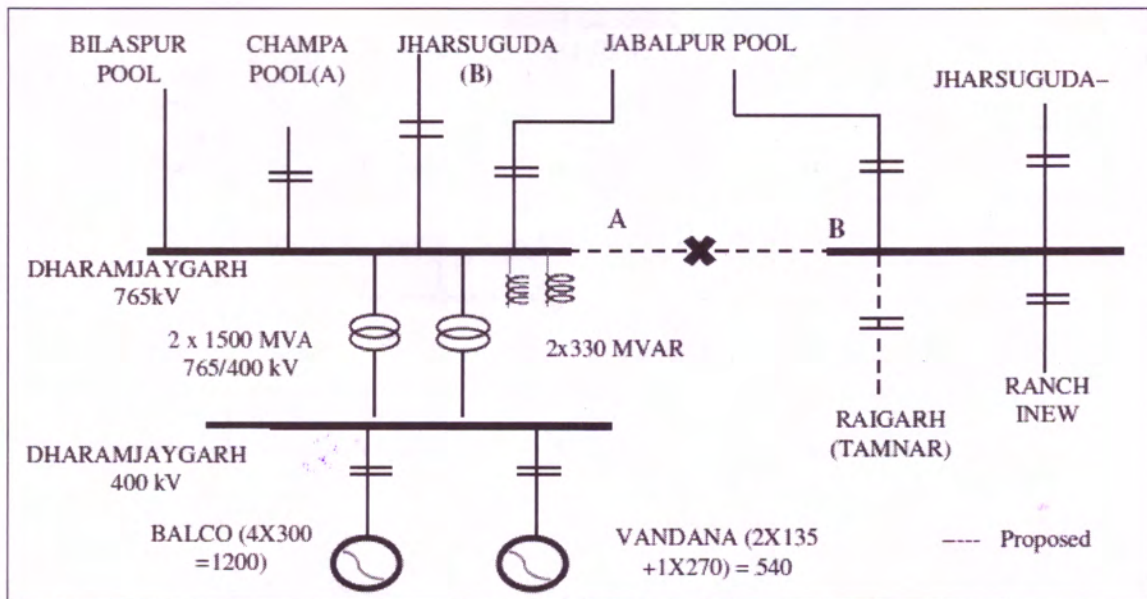


Fig. 1: Dharamjaygarh Pooling Station after splitting

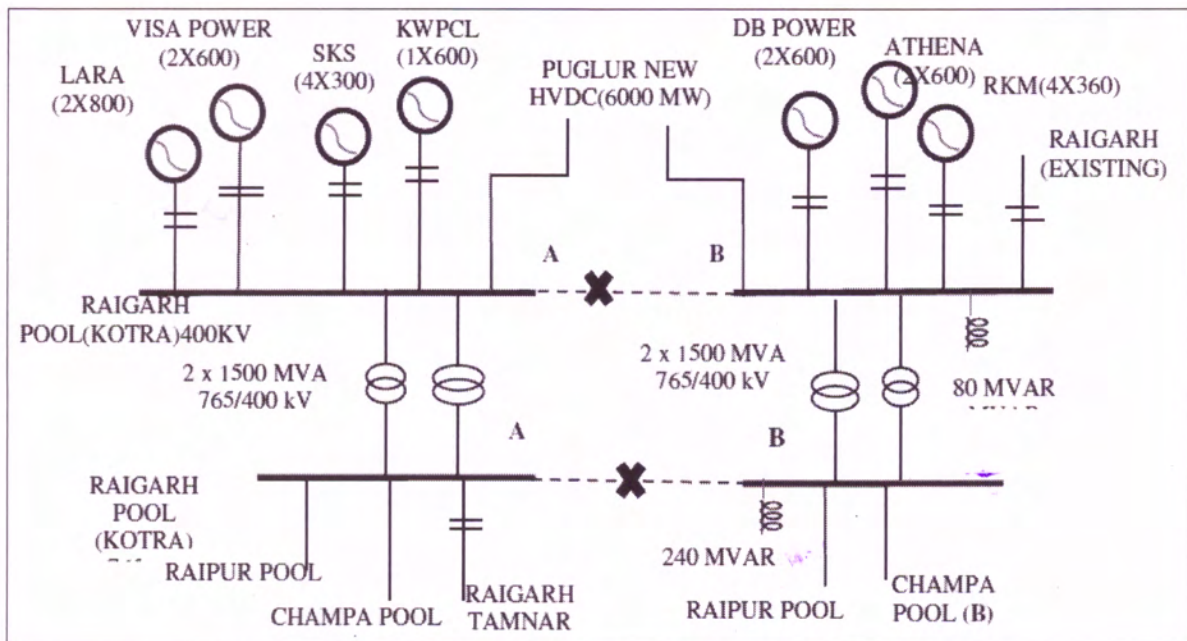


Fig. 2: Raigarh Pool (Kotra) after splitting.

*Handwritten signature and date: 27/6/16*

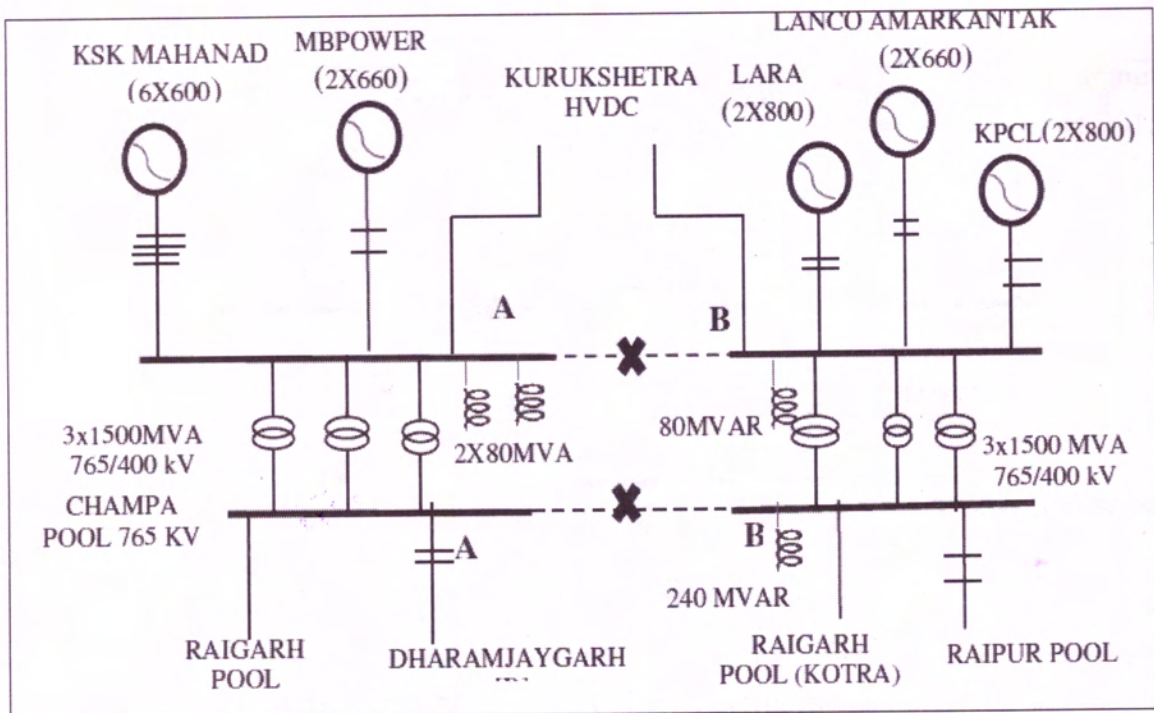


Fig. 3: Champa Pooling Station after splitting.

*Handwritten signature and date: 21/6/16*